

REVO VM IV series

Hybrid On & Off-Grid Energy Storage Solar Inverter

并离网混合储能逆变器
3.6/5.6/8/11KW

MPPT
Built-in two MPPT(8KW-10KW), with wide input range:120~450VDC

Battery 电池
Battery equalization function extend lifecycle
Reserved communication port (RS485,CAN) for BMS

On&Off-Grid 并离网
REVO VM IV series is suitable for on&off-grid applications.

Easy access 轻松访问
Communication WIFI or bluetooth
Touchable button with large 5" colorful LCD



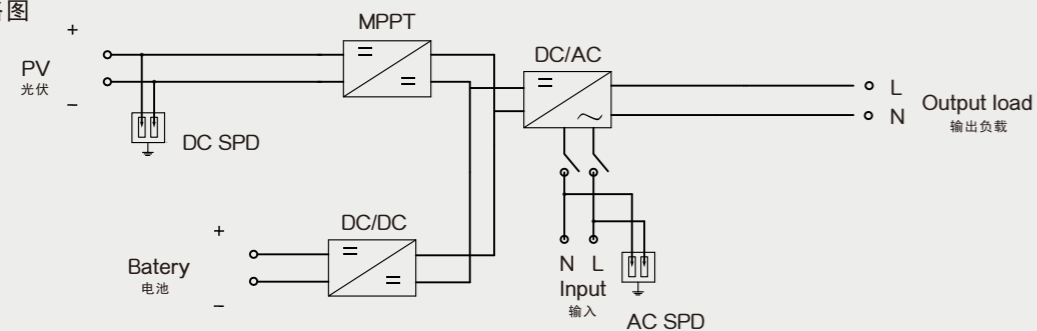
With battery connected 连接电池时



Without battery connected 未连接电池时



Schematic diagram 线路图



产品系列 Technical Specification	REVO VM IV series			
Rated Power(W) 额定功率	3600	5600	8000	11000
AC INPUT 交流输入				
Nominal Voltage(VAC) 标称输出电压	230			
Voltage range(VAC) 输出电压范围	120-280			
Frequency range(Hz) 频率	50/60			
AC OUTPUT 交流输出				
Surge power 浪涌功率	7200	11200	16000	22000
Output voltage(VAC) 输出电压	220/230/240			
Output wave form 输出波形	Pure sine wave 纯正弦波			
Rated Frequency(Hz) 频率范围	50/60			
Efficiency 效率	up to 93.5%			
Transfer time 切换时间	10ms typical (narrow range); 20ms typical (wide range)			
BATTERY 电池				
Nominal DC voltage(VDC) 标称直流电压	24		48	
Floating charge voltage(VDC) 浮动充电电压	27		54	
Overcharge protection(VDC) 过充保护	31	63	60	63
Battery type 电池类型	Lithium & Lead-acid 锂电池/铅酸电池			
SOLAR CHARGER & AC CHARGER 太阳能充电器和交流充电器				
Max. PV array open circuit voltage(VDC) 最大光伏阵列开路电压	500			
Max. PV array power(W) 最大光伏阵列功率	5500		4000*2	5500*2
MPPT voltage range (V) MPPT电压范围	90-450			
Max. input current(A) 最大输入电流	18	18	18*2	27*2
Max. solar charging current(A) 最大太阳能充电电流	120			150
Max. AC charging current(A) 最大交流充电电流	100		120	150
Max. charging current(A) 最大充电电流	120			150
DISPLAY & INTERFACE 显示与界面				
Parallel function 并行功能	up to 6 units 最多6台			
Communication 通讯	Standard:RS232,CAN&RS485 ; Optional: WiFi ,Bluetooth			
Display 显示	5" colorful LCD			
ENVIRONMENT 环境				
Humidity 湿度	0~90% RH (No Condensing)			
Operating Temperature 工作温度	0 to 50° C			
Net Weight(KG) 重量	9	10	18.8	20
Dimensions D x W x H (mm) 尺寸	302*500*132.5		420*561.6*152.4	