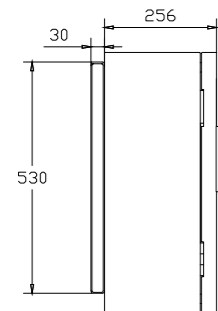
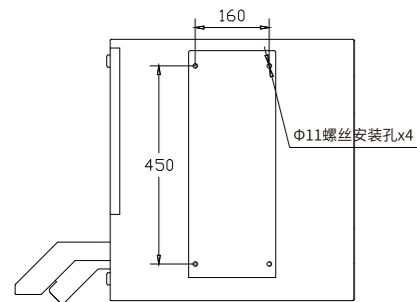
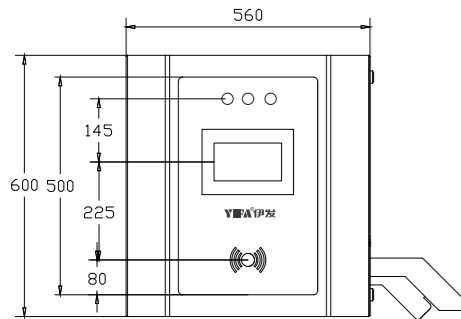




外形尺寸 Overall dimension



产品概述 Product Overview

伊发控股集团有限公司自主研发生产的充电桩产品RDE-DC030产品主要用于对电动汽车进行快速充电, 其设计具备完善的充电安全保护功能和人机交互功能。适合于室外的电动汽车充电站, 公共停车场, 住宅小区停车场、大型商厦停车场, 路边停车位以及公交车站等场所。

The charging pile product RDE-DC030 independently developed and produced by Yifa Holding Group Co., Ltd. is mainly used for fast charging of electric vehicles, and its design has perfect charging safety protection function and human-computer interaction function. It is suitable for outdoor electric vehicle charging stations, public parking lots, residential parking lots, large commercial parking lots, roadside parking Spaces and bus stations.

功能特点 Functional Features

- 充电效率高, 能量利用率高, 能量损耗少, 符合节能减排要求, 降低成本;
- 输入谐波小, 可减少对电网的污染, 具备更高的电网适用能力;
- 输入、输出电压范围宽, 适用范围广, 适合于多种不同的电压场合;
- 工作温度范围宽, 能在不同的环境条件下正常工作;
- 充电模块支持热拔功能, 方便使用, 降低维修成本;
- 内置防反保护, 具备失效自隔离功能, 极大提高系统的可靠性;
- 具备完善的故障检测示, 能进行多种故障检测, 方便客户维护;
- 具有远程启动充电功能, 可以实现微信扫一扫启动充电、终止充电、远程结算、充电过程远程查看等;
- 支持后台及云平台管理, 充电记录推送;
- 可以自动判断充电连接器、充电电缆是否连接正常。当充电桩与电动汽车正确连接后, 充电桩才能允许启动充电过程; 当充电桩检测到与电动汽车未正常连接时, 将立即停止充电;
- 具备高速CAN网络与电池管理系统BMS通信的功能, 实时判断充电桩与电动汽车连接状况, 并获取电动汽车动力电池类型、电池系统参数、充电前和充电过程中电池组和单体电池的实时数据;
- 实时故障告警推送至平台, 方便售后维护;
- 待机功耗低, 符合节能减排要求, 降低运营成本。

High charging efficiency, high energy utilization rate, less energy loss, in line with the requirements of energy conservation and emission reduction, reduce costs;

The input harmonics are small, which can reduce the pollution to the power grid, and have higher power grid application capability;

Wide input and output voltage range, wide application range, suitable for a variety of different voltage occasions;

Wide operating temperature range, can work normally under different environmental conditions;

The charging module supports hot draw function, which is convenient to use and reduces maintenance cost;

Built-in anti-reverse protection, with failure self-isolation function, greatly improve the reliability of the system;

With a perfect fault detection indicator, can carry out a variety of fault detection, convenient customer maintenance;

With remote start charging function, it can realize wechat scan start charging, stop charging, remote settlement, remote viewing of charging process, etc.

Support background and cloud platform management, charging record push;

You can automatically determine whether the charging connector and charging cable are connected properly. Only when the charging pile is properly connected to the electric vehicle can the charging pile be allowed to start the charging process; When the charging pile detects that it is not properly connected to the electric vehicle, it will immediately stop charging;

It has the function of communication between high-speed CAN network and battery management system BMS to determine the connection between charging pile and electric vehicle in real time, and obtain the electric vehicle power battery type, battery system parameters, and real-time data of battery pack and single battery before and during charging.

Real-time fault alarms are pushed to the platform to facilitate after-sales maintenance.

Low standby power consumption, meet the requirements of energy conservation and emission reduction, reduce operating costs.

技术参数 Technical parameter

RDE-DC030 技术参数 Technical parameter			
项目 Item	型号参数 Type parameter	RDE-DC030A1H	RDE-DC030C1H
外观 Appearance	名称 Name	直流充电桩30KW DC charging pile 30kW	
	输出最大功率 Maximum output power	30KW	
	充电枪数量 Charging gun number	单枪 Single gun	
	显示及输入功能 Display and input function	触摸彩屏, 显示屏分辨率800*600, 亮度500ni l, 尺寸7英寸 Touch color screen, display resolution 800*600, brightness 500nil, size 7 inches	
	直流插头标准、直流充电接口标准 DC plug standard, DC charging interface standard	GB/T20234. 3-2015, GB/T18487. 1-2015	
读卡功能 Card reading function		非接触式读卡 Contactless card reader	
工作参数 Operating parameter	输入电压范围 Input voltage range	380V±15%	
	输入电压频率 Input voltage frequency	45-55Hz	
	输出电压范围 Output voltage range	200-750VDC	
	输出电流范围 Output current range	5A-130A	
	功率因数 Power factor	≥0.99	
	效率 Efficiency	满载 ≥95% Full load ≥95%	
	电压精度 Voltage accuracy	不超过±0.5% Not more than ±0.5%	
	电流精度 Current accuracy	≥30A: 不超过±1%, <30A: 不超过±0.3% ≥30A: not more than ±1%, <30A: not more than ±0.3%	
	稳流精度 Steady flow accuracy	不超过±0.5% Not more than ±0.5%	
	纹波系数 Ripple coefficient	峰值: 不超过±1% Peak value: not more than ±1%	
功能 Feature	运行监管功能 Operational supervision function	支持运营管理平台、数据交易储存、远程升级、后台管理、账务管理 Support operation management platform, data transaction storage, remote upgrade, back-office management, accounting management	
	安全防护功能 Safety protection function	支持过压、过流、欠压、漏电、雷、电池反接, 急停保护等防护措施 Support over voltage, over current, under voltage, leakage, thunder, battery reverse connection, emergency stop protection and other protective measures	
	直流电能表计量准确度 DC watt-hour meter measurement accuracy	0.5级 Level 0.5	
	待机功率 Standby power	≤50W	
	启动方式 Starting mode	支持移动端启动、刷卡启动 Support mobile startup, credit card startup	
防护等级 Class of protection	IP54		
工作环境 Working environment	工作温度 Operating temperature	-20°C-50°C	
	工作湿度 Working humidity	5%-95%	
	冷却方式 Cooling mode	风冷 Air cooling	